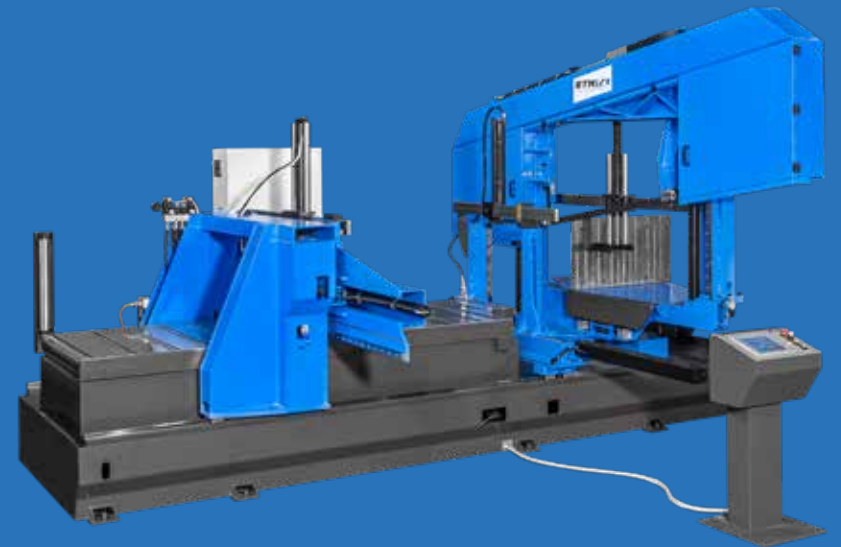




**BTM**   
ADVANCED TECHNOLOGY BANDSAWS

AUTOMATIC MITRE CUTTING LEFT/RIGHT  
AT LINE



# AUTOMATIC TWIN-COLUMN MITRE CUTTING LEFT/RIGHT



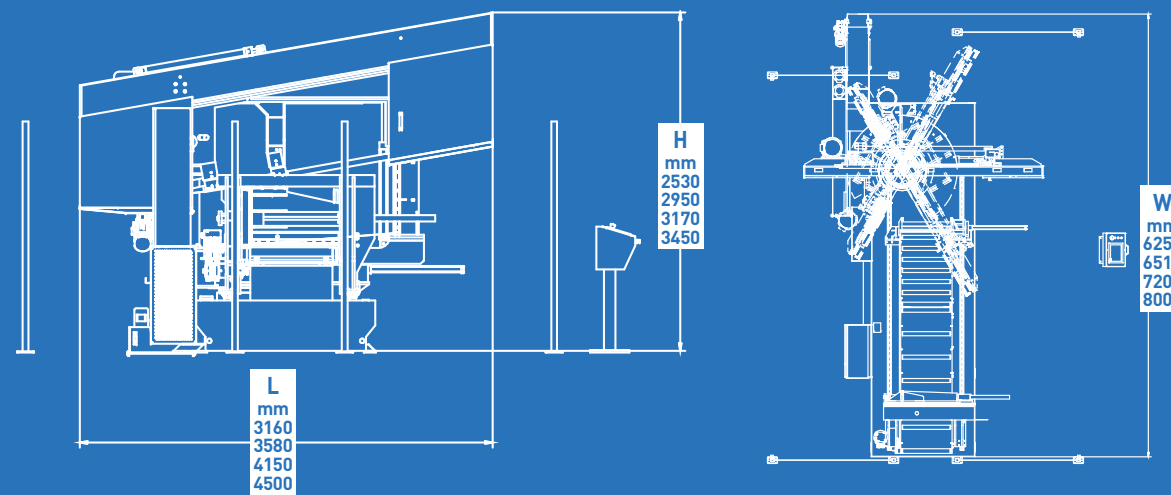
di lavoro  
Working height  
900 mm



kg  
5750  
7350  
11000  
13800

		Mod. <b>AT 6.4 A DS 3</b>					Mod. <b>AT 7.5 A DS 3</b>					Mod. <b>AT 10.6 A DS 3</b>					Mod. <b>AT 12.7 A DS 3</b>				
		90°	45° DX-R	60° DX-R	45° SX-L	60° SX-L	90°	45° DX-R	60° DX-R	45° SX-L	60° SX-L	90°	45° DX-R	60° DX-R	45° SX-L	60° SX-L	90°	45° DX-R	60° DX-R	45° SX-L	60° SX-L
Cutting capacities mm		450	400	300	400	300	500	460	340	460	340	600	600	400	600	400	700	700	500	700	500
		400	400	300	400	300	500	460	340	460	340	600	600	400	600	400	700	700	500	700	500
		600x400	400x400	300x300	400x400	300x300	700x500	500x460	340x450	500x460	340x450	1000x600	700x600	400x600	700x600	400x600	1200x700	780x700	500x700	700x700	500x700
optional Hydraulic bundle clamping device	BASIC 	600x210	-	-	-	-	700x260	-	-	-	-	1000x310	-	-	-	-	1200x360	-	-	-	-
	MAX 	600x400	-	-	-	-	700x500	-	-	-	-	-	-	-	-	-	1200x700	-	-	-	-
Blade dimensions		6340 x 41 x 1,3 mm					7925 x 54 x 1,6 mm					9100 x 54 x 1,6 mm					9800 x 54 x 1,6 mm				
Blade motor power		4 kW					5,5 kW					7,5 kW					7,5 kW				
Feeding carriage motor power		5,6 Nm					5,6 Nm					5,6 Nm					9 Nm				
Cooling pump motor power		0,4 kW					0,4 kW					0,4 kW					0,4 kW				
Hydraulic pump motor power		2,2 kW					2,2 kW					2,2 kW					2,2 kW				
Chip conveyor motor power		0,25 kW					0,25 kW					0,25 kW					0,25 kW				
Blade speed		20 ÷ 100 m/min					20 ÷ 100 m/min					20 ÷ 100 m/min					20 ÷ 100 m/min				
Bow rotation motor power		5,6 Nm					5,6 Nm					5,6 Nm					5,6 Nm				
Feeding carriage stroke		3000 mm *					3000 mm *					3000 mm *					3000 mm *				

\*Available with different carriage stroke on request.

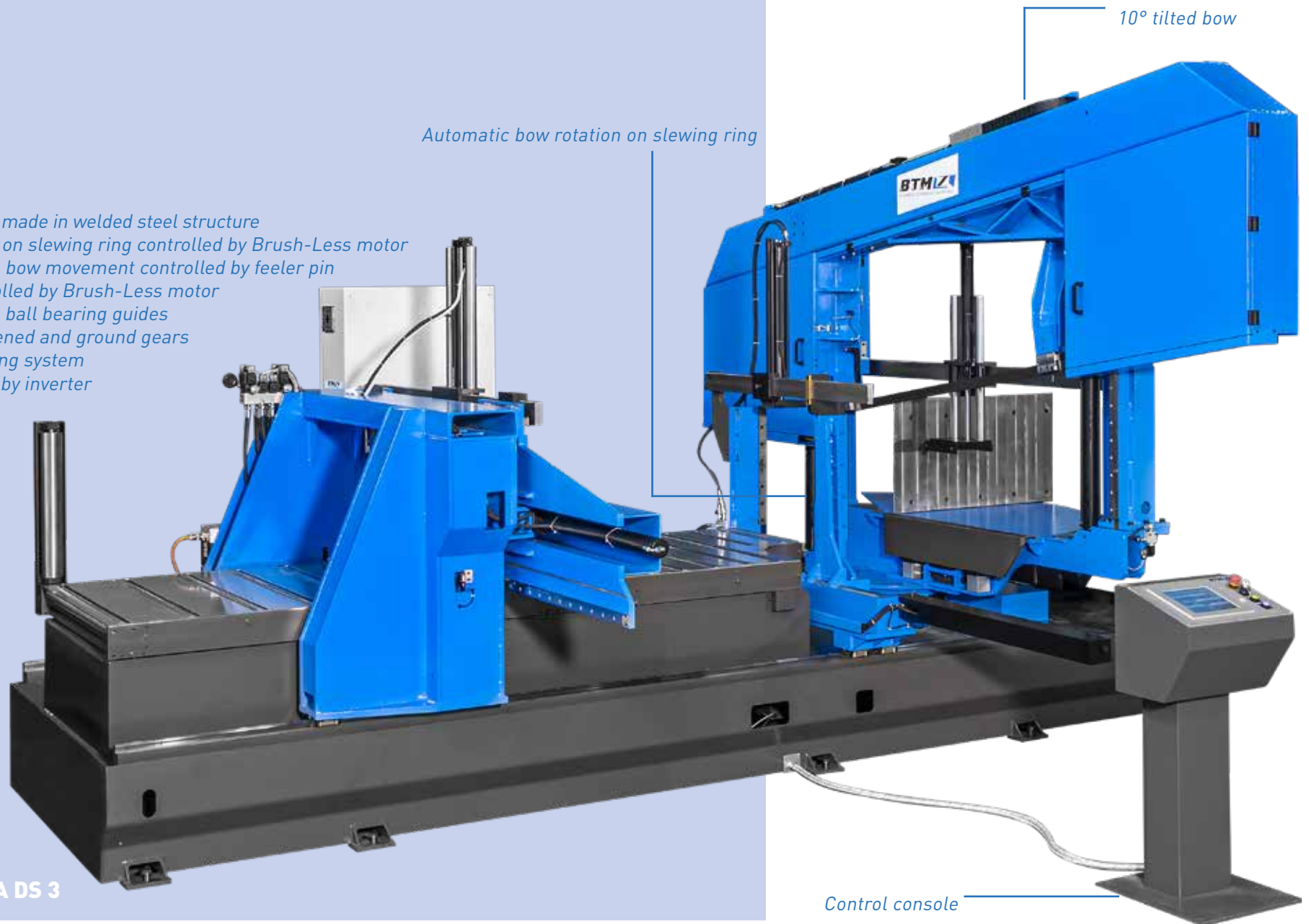


BANDSAW WILL BE SOLD WITH ALL PROTECTIVE COVERS ACCORDING TO CE RULES

Twin-column automatic bandsaw machines, heavy construction for high working performance.

*Technical features*

- Bow, base and columns made in welded steel structure
- Bow automatic rotation on slewing ring controlled by Brush-Less motor
- Automatic fast up/down bow movement controlled by feeler pin
- Feeding carriage controlled by Brush-Less motor
- Vertical bow descent on ball bearing guides
- Reducer unit with hardened and ground gears
- 10° tilted bow and cooling system
- Blade motor controlled by inverter
- Chip conveyor



**AT 10.6 A DS 3**

## Optional accessories and roller tracks



- Powered roller
- Powered roller knurled tempered
- Piece aligner
- Adjustable vice pressure
- Blade deflection control device (standard on TOUCH version)
- Dry cooling device
- Hydraulic bundle clamping device basic
- Hydraulic bundle clamping device max
- Industry 4.0 (only for touch)
- Teleservice (only for touch) + Industry 4.0



1.200 kg/m

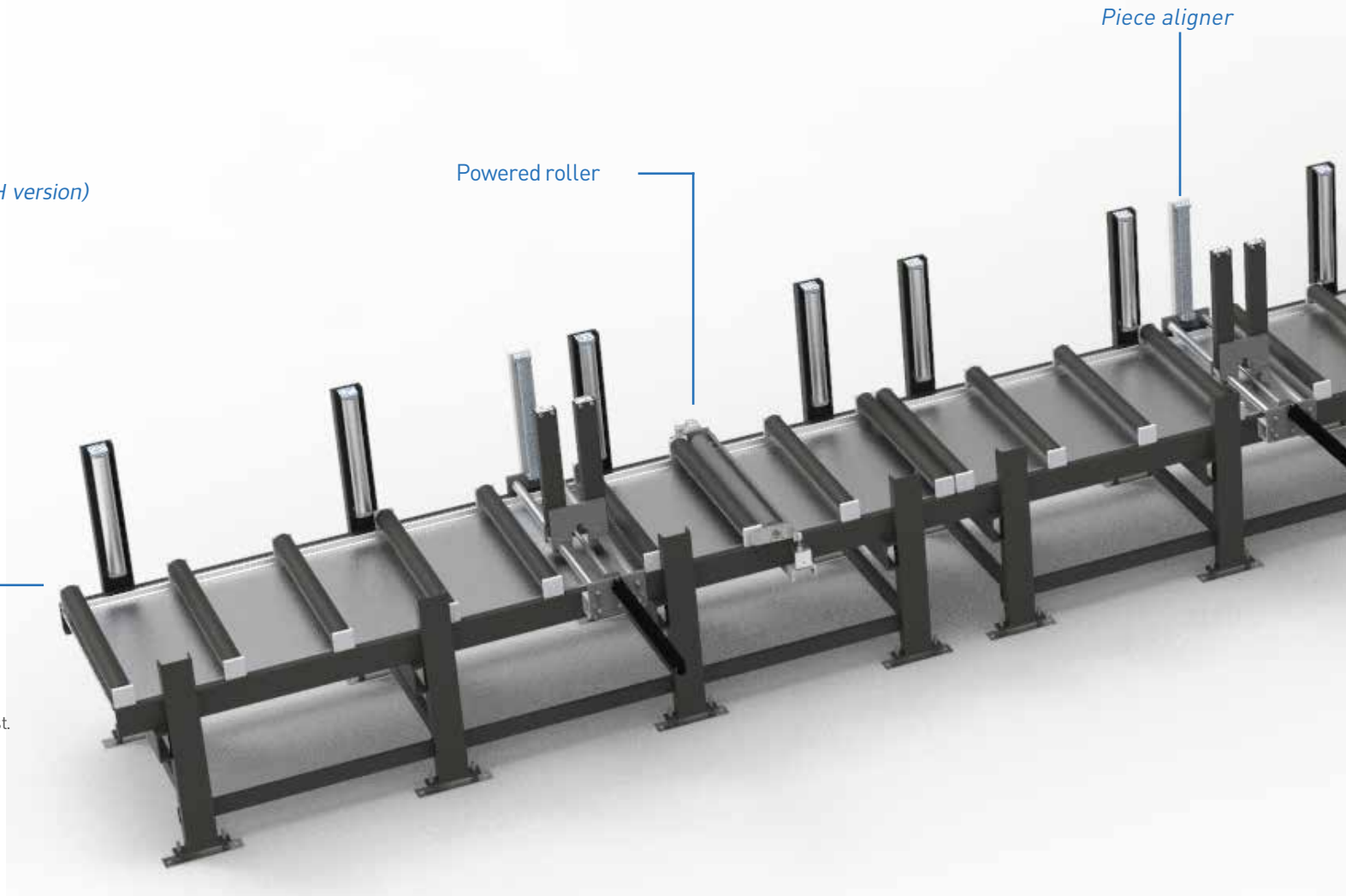
### INFEED ROLLER TRACK

Carrying capacity : 1.200 Kg/m.

With water collection tank.

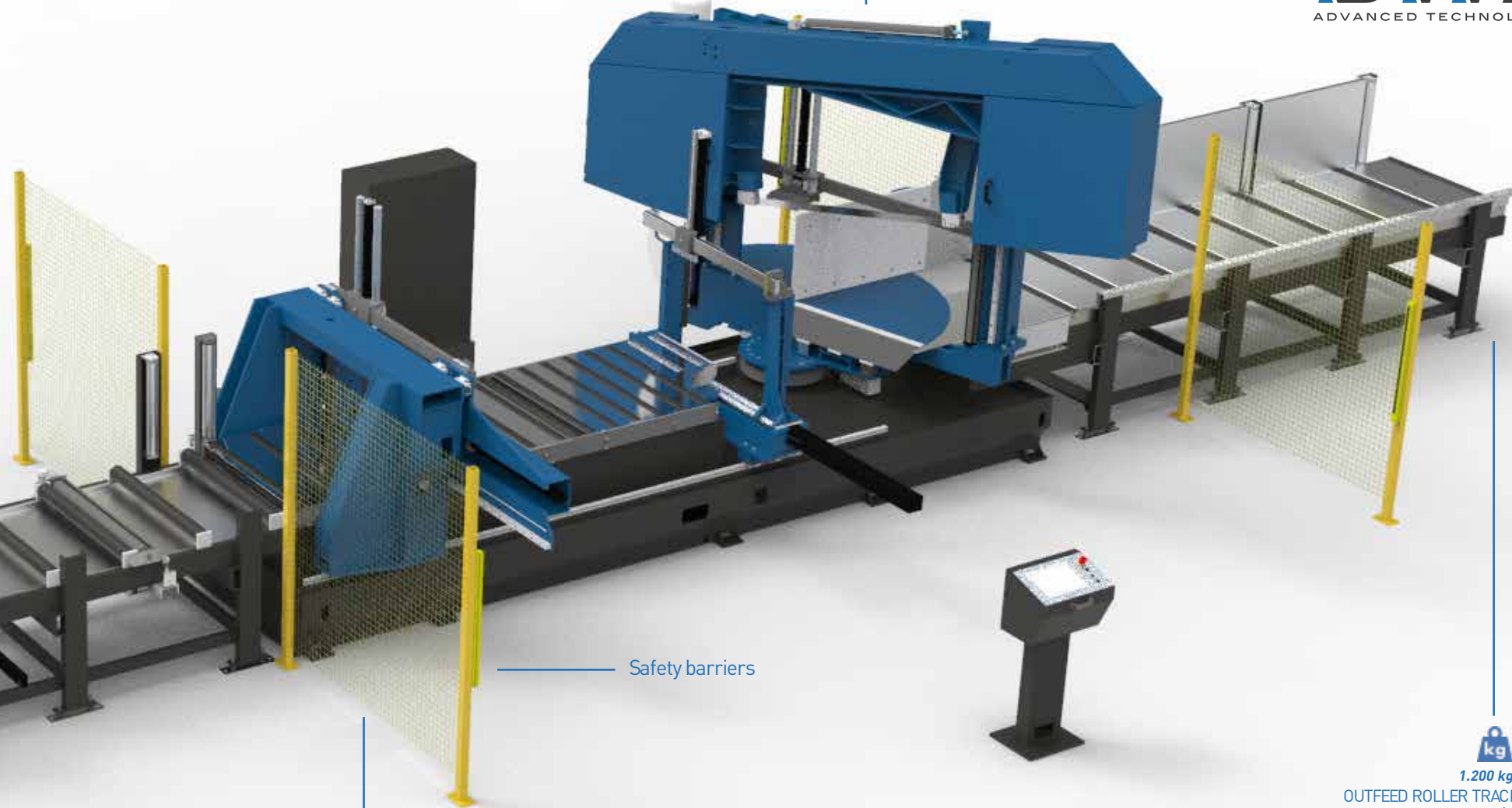
Available in modules from 1 to 6 m long. Different lengths on request.

Available roller pitch : 450/250/125 mm.





Mod AT 10.6 A DS 3



Safety barriers

Total protective covers



1.200 kg/m

**OUTFEED ROLLER TRACK**

Carrying capacity : 1.200 Kg/m.

With safety edge and water collection tank.

Available in modules from 1 to 6 m long. Different lengths on request.

The roller track can be open or closed with removable plates between rollers.

Available roller pitch : 450/250/125 mm.

OUR CUSTOM MADE SYSTEMS DESIGNED TO MEET THE NEEDS OF OUR CUSTOMERS



AT 6.4 A DS 3 with loading and unloading unit



AT 10.6 A DS 3 with infeed - outfeed roller track





*AT 13.8 A DS 5 carriage stroke 5000 mm*

Since 1982



**Btm srl** Unipersonale  
Via F.lli Kennedy, 8  
24060 Carobbio degli Angeli  
Bergamo (Italy)

Tel. +39 035 4251125

info@btm.it  
www.btm.it



facchinetti@forlani.com 09/21

BTM since the early 80s is the leader in the design and production of special and oversized bandsaw machines, to satisfy the special needs of the customers who want a reliable, safe and custom-made product. The final result is a custom machine developed by the close co-operation between BTM and its customers. The design engineering, production, assembly, and the final machine testing are all performed by highly skilled personnel at btm's plants, following the "MADE IN ITALY" philosophy.

*Btm Srl reserves the right at any time and without advance notice to introduce modifications to the present catalogue. The images and data in this catalogue must be considered for you for reference only.*